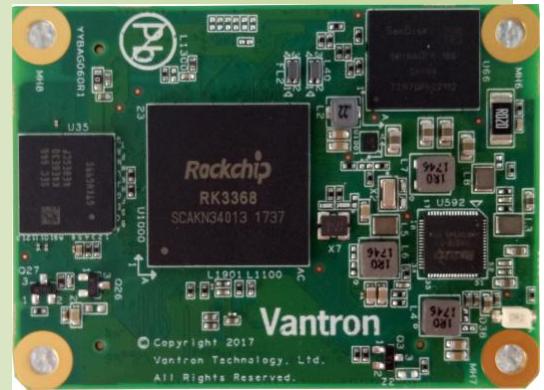


Vantron VT-MOD-3368 is based on Rockchip RK3368 ARM Cortex-A53 processor. This product is a processor board with two B2B connectors.

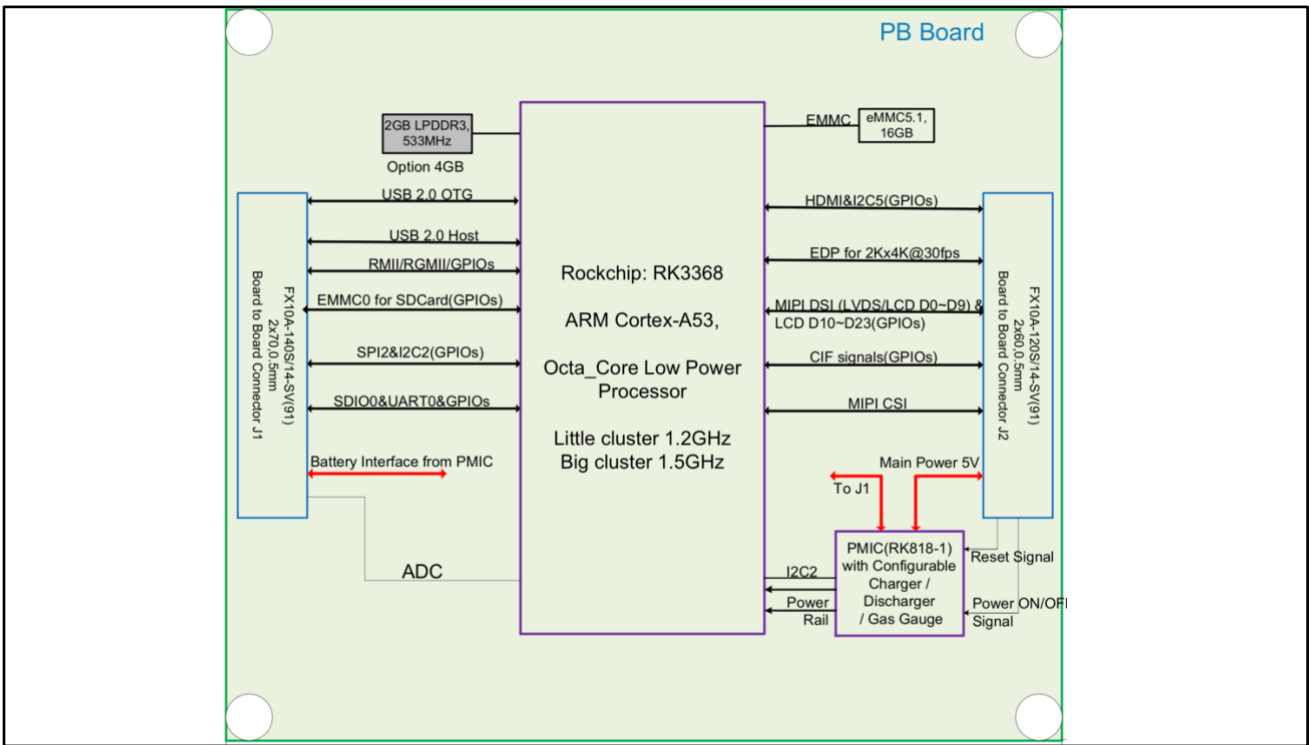
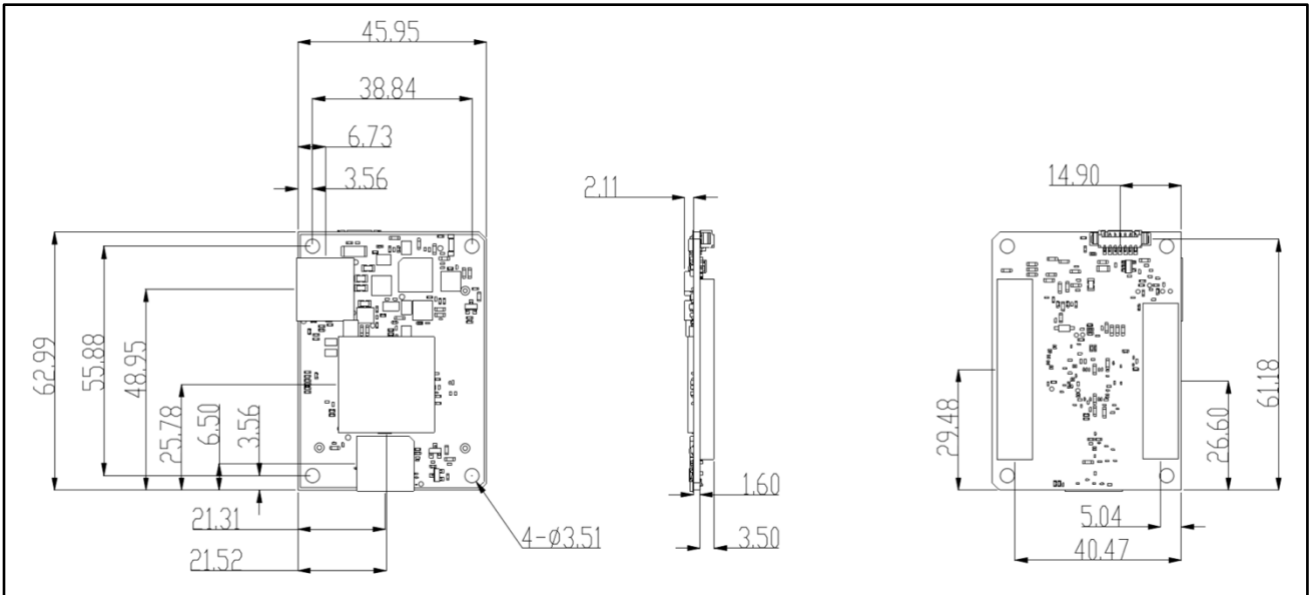
On board 2GB memory and 16GB EMMC, support 4K CODEC and MIPI camera.

Support Linux and Android OS.



## Specifications

System	Processor	Rockchip, RK3368 ARM Cortex-A53 Octa-core processor (1.5GHz)
	RAM	On Board LPDDR3 533MHz, 2GB
	ROM	On Board 16GB EMMC 5.1 (up to 64GB)
	Ext Storage	2xSDIO (for SD Card and WIFI)
Display	Video Out	Up to 1920x1080(1080P), 2D/3D Accelerator available 1xLVDS, up to 165Mp/s 1xHDMI signal 1xMIPI signal
	Resolution	Resolution: XGA, WXGA, SXGA, HD720P, HD1080p, 2K/4K
	Camera	5M MIPI Camera/5M CIF Camera
I/Os	Ethernet	1x10/100/1000Mbps RGMII
	USB	2xUSB2.0 Host (480Mbps) 1xUSB2.0 OTG(480Mbps)
	Audio	I2S signal interface
	COM Port	Debug UART, 2xUART
	PCIe	1x mini-PCIE can use for WIFI module
	WIFI	SDIO support
	RTC	Support
	I2C	4xI2C
	SD Card	SDIO support
	Connector	B2B Connector
Software	OS	Support: Linux and Android
	SDK	Support
Power	Input	Single 5V Input
Mechanical	Dimensions	46mm x 63mm
Environment Condition	Temperature	Operating:-0°C ~ +70°C Storage: -40°C ~ +85°C
	Humidity	10-85%RH (Non-Condensation), operating and storage
	Cooling Mode	Fanless



## Accessory

Fin	1pc
Mounting Screw	4pc
Mounting Nut	4pc

## Order Information

VT-MOD-3368	-X	XX
	1:1G RAM	16:16G eMMC
	2:2G RAM	32:32G eMMC
	X	64:64G eMMC
		Or Other Size
<b>Sample</b>	VT-MOD-3368-216	

**Notes:** All specifications are subject to change without notice. Please contact Vantron for additional requirements.