

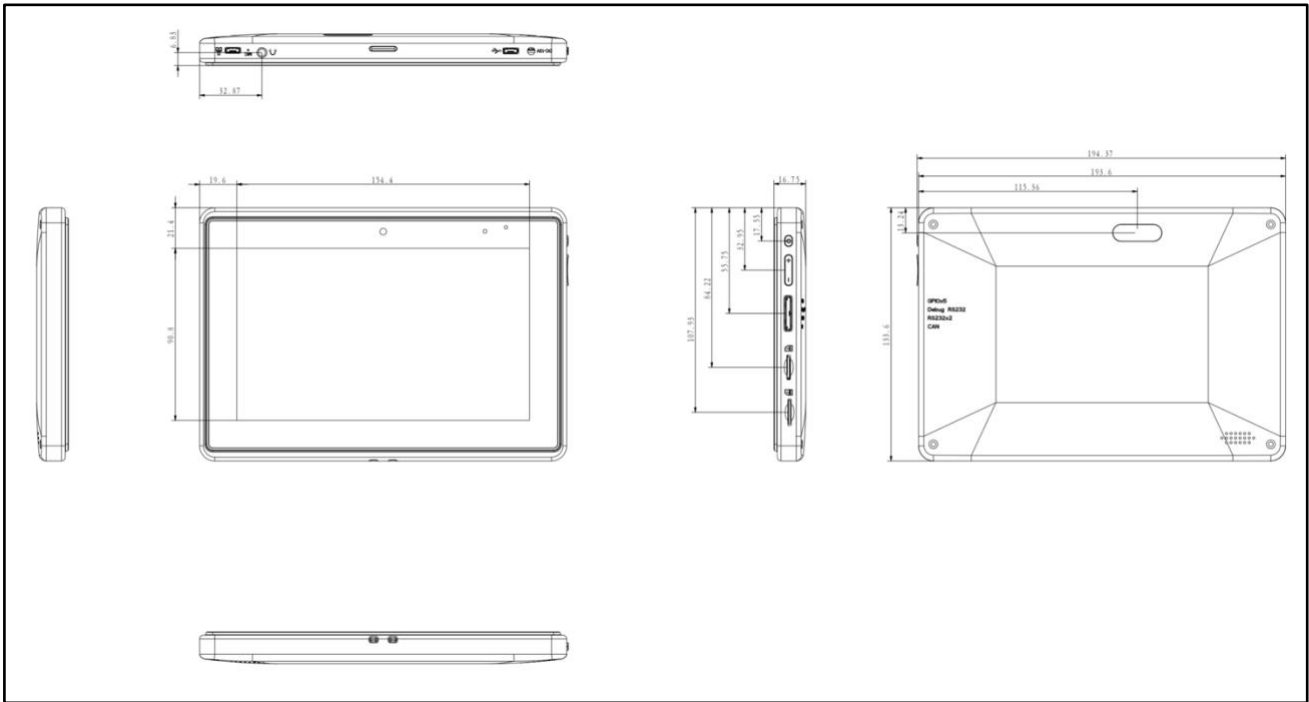
Vantron VT-TABLET-5071 is a low-cost and low-power tablet specifically designed for the long-life and rugged Industrial applications.

Based on a Freescale iMX6 single/dual/quad core processor, this versatile device uses a 7" high resolution LCD with enhanced Capacitive Touch Screen. The device supports Cellular, WLAN, Bluetooth, Cameras, and GPS. It has interface I/Os including Ethernet, USB, Audio, RS232/485, CAN, and GPIOs. The product support 6-36V wide power input can run Linux, or WinCE, or Android OS. A Software Development Kit (SDK) is available.



Specifications

Model No.	VT-TABLET-5071
CPU	FreeScale iMX6 Single/Dual/Quad Core (Cortex-A9 1.0GHz) Optional Single/Dual/Quad Core, Optional 1.2GHz
Display	7" TFT, 1024 x600 Resolution Multi-point Capacitive Touch Screen TP use 1.8mm thickness Corning Gorilla Glass for good hardness
RAM	On board DDR3 1GB (Optional 2GB)
Storage	EMMC Flash16GB (Optional 32GB)
WLAN	Base on WIFI 802.11 b/g/n; 1 x Ethernet 10/100base-T (micro-USB)
Cellular	Internal 4G Module, with SIM Slot Optional GPRS/3G
Bluetooth	BT 4.0
GPS	Internal u-BloxNEO-6M-0 GPS
Camera	Front and Back Dual Camera(5M)
I/O	1x Headphone; 1x Ethernet; 1xUSB2.0OTG; 1x Multi-Function, Including 3xRS232 (One for Debug) 1xCAN 2.0B, 5xGPIOs(TTL)
Audio	1x MIC In , 1x Headphone Out
Sensor	Accelerometer(MMA8451), Light sensor
RTC	Support
LED Status	Power, Charging
Buttons	Power on/off 1 key; Volume 2 keys
Scanner	Barcode scanner supported by USB interface
Battery	Working for 3 hours with WIFI Li-Battery, 4000mAH 3.8V
Power Input	12V DC (6-36V DC Wide Range Input)
Dimension	193.6mm ×133.6mm ×16.3mm
Weight	0.5Kg
OS	Android 4.2/4.3
Installation	Lockable mounted on Vehicle, optional with the mounting Kit



Accessory

Power Adapter (Optional)	1pc
4G Module (Optional)	1pc
Installation tools (Optional)	1pc

Order Information

Contact us for more information.

Notes: All specifications are subject to change without notice. Please contact Vantron for additional requirements.