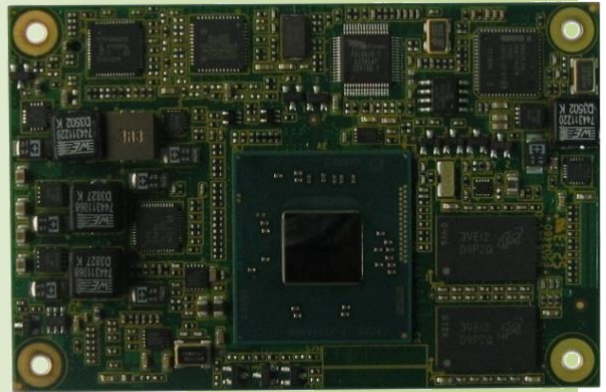


Vantron VT-NanoCOM-BTA is a high-performance industrial processor board. This product design with standard COM Express Type 10 Size, support wide temperature.

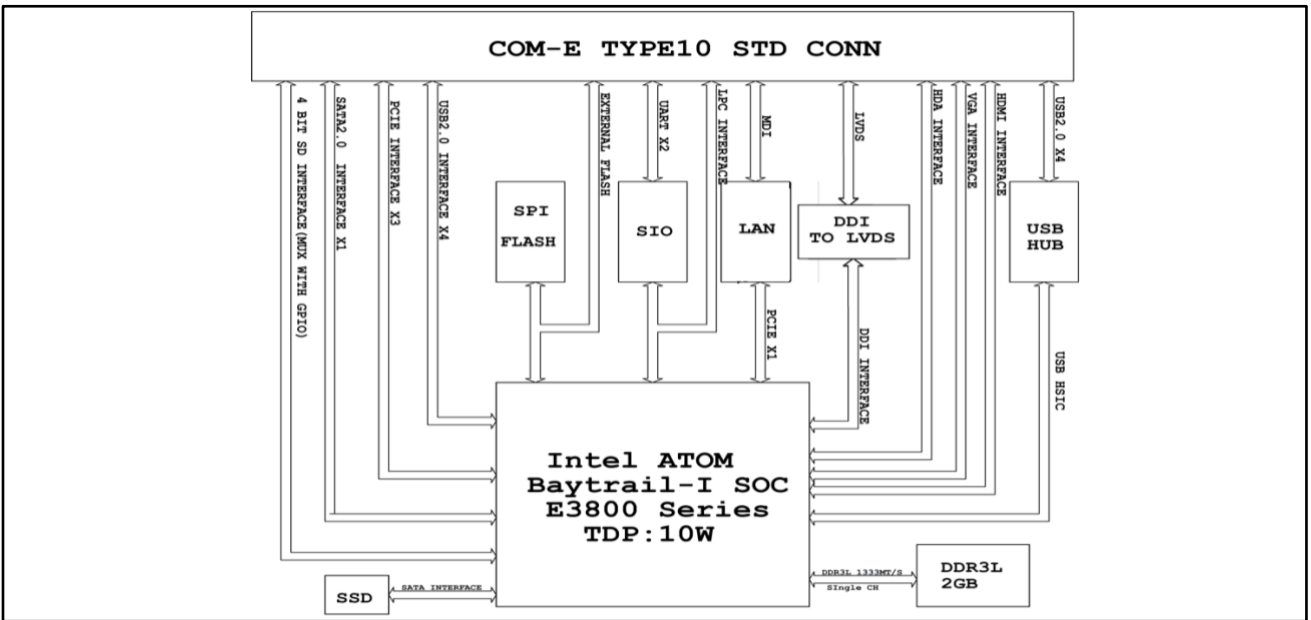
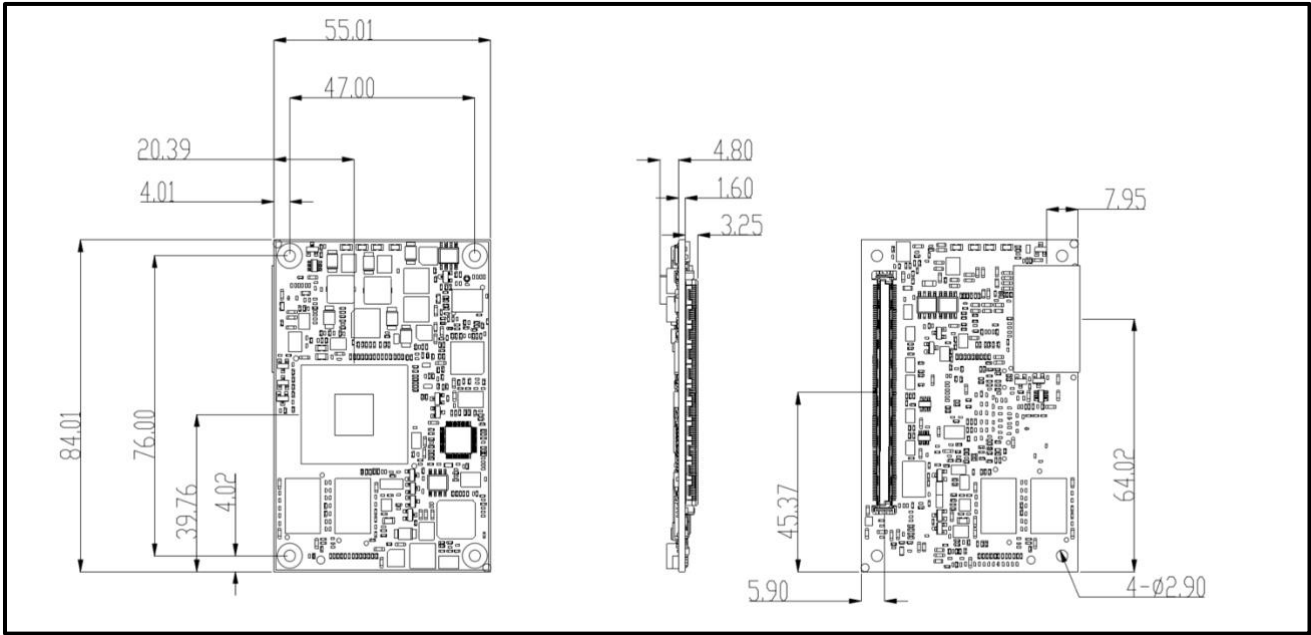
Based on Intel ATOM Baytrail E3815/3827/3845 single/dual/quad core processor. On board 2GB DDR3 memory and optional on board 8GB SSD.

Support Linux and Windows 7/8/10 OS. Support Software Development Kit (SDK).



Specifications

Standard	Size	COM Express Type10 (Nano Size)
System	Processor	Intel® ATOM™, E3845/1.91Ghz,E3827/1.75Ghz, E3815/1.46GHZ, Single/Dual/Quad Core Processor
	RAM	Up to 2GB on board DDR3L1333MT/s(E3845&E3827)/ 1066MT/s (E3815)
	ROM	On board SSD 8GB (or other size)
	Hardware Monitor	Support CPU Temperature Monitor
Display	Chipset	Support LVDS/HDMI/VGA, simultaneous/dual view display Decode-H.264, MPEG2, MPEG4, VC1/WMV9, Encode-H.264, MPEG2 Shared memory up to 256MB
	Resolution	LVDS up to 1280 x 768@60Hz HDMI up to 1920x1200@60Hz VGA up to 2560x1600@60Hz
	LCD	18/24 bit Single-Channel LVDS panel interface
I/O ports	Ethernet	WG82574IT,10/100/1000Base-TX
	USB	8xUSB2.0 Host
	Audio	AC97 Decode (ATOM HD Audio)
	UART	2x UART
	PCIe	3x PCI-Express
	LPC	1x LPC BUS
	RTC	Support
	SATA	1x SATA2.0
	GPIO	x8 In/Out: Multiplexed with 4 bits SD pins (Default)
	SDIO	1xSDIO
	SMBus	1xSMBus
	I2C	1xI2C Bus
	Software	OS
SDK		Support
Power	Input	+5V/2A, +12V/2A
	Consumption	6W (up to 8W), Sleeping 2W
Mechanical	Dimensions	COM Express Nano Size: 84mm x 55mm (Type 10)
	Gross Weight	0.15Kg
Environment Condition	Temperature	Operating Wide Temperature:-40°C ~ +80°C Storage: -40°C ~ +85°C
	Humidity	10-95%RH (Non-Condensation), operating and storage
	Cooling Mode	Fanless, Heat Sink



Accessory

Heat Sink	1pc
Mounting Screw	4pc
Mounting Nut	4pc

Order Information

VT-NanoCOM-BTA	-X	X	XX
	S: Single	1:1G DDR	08:8G SSD
	D: Dual	2:2G DDR	16:16G SSD
	Q: Quad		32:32G SSD
			Or Other
Sample	VT-NanoCOM-BTA-D216		
<p>Notes: All specifications are subject to change without notice. Please contact Vantron for additional requirements.</p>			