

Vantron VT-M2M-M4 is an extremely low-power, configurable, and programmable gateway specifically designed for Machine-to-Machine (M2M) communication and Internet of Things (IoT) applications.

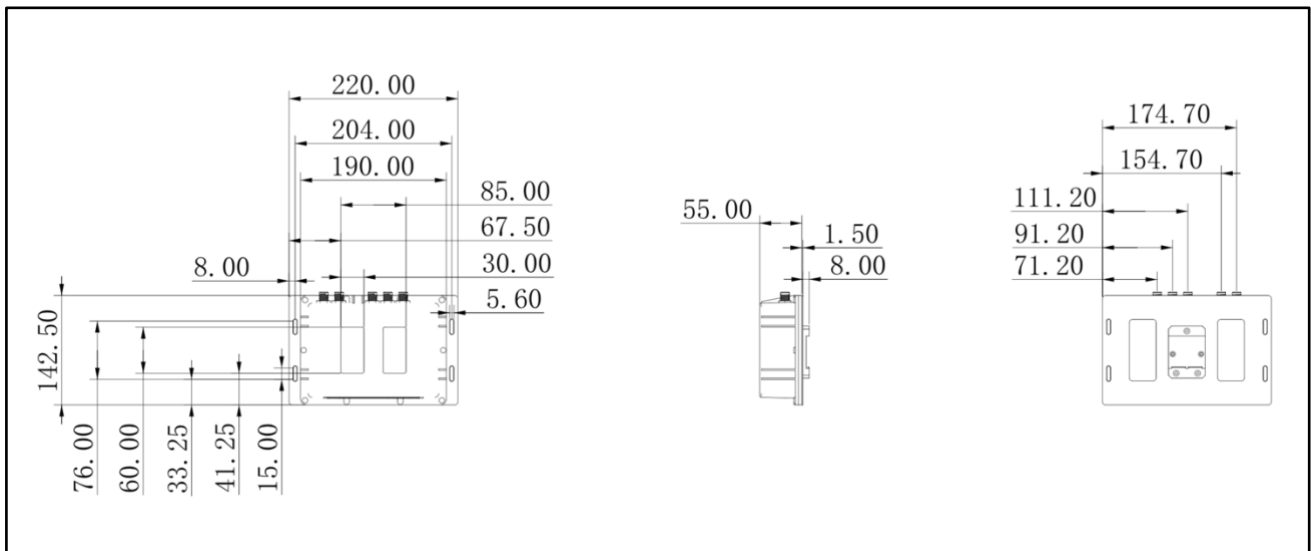
Based on an industrial MCU processor, this device provides various wireless supports including 2G/GPRS/3G/4G cellular, WLAN, GPS, ZigBee, Lora, Bluetooth. This device supports interface I/O including RS-232/485, USB, and GPIOs. In addition, it also supports internal battery operation and can be powered by a solar panel.

This device has the IP65 protection (Optional IP67) and a wide-range power supply input (4-36V) and runs Linux. The SDK is available.



Specifications

System	Processor	ARM 32-bit Cortex-M4, 168MHz
	RAM	CPU On Chip 256KB SRAM
	Flash	CPU On Chip 1024KB Flash
	Storage	Extend 2MB (up to 8MB) SPI Flash for Data Storage
Wireless	Cellular	Optional GPRS/3G/4G Module with SIM Card
	WLAN & BT	Optional 80.211 b/g/n WLAN & Bluetooth Module
	ZigBee / LORA	Optional ZigBee or LORA module
	GPS	uBlox: NEO-6M, Support GPS
I/O Ports	Ethernet	Optional 1x10/100Base-T
	USB	Optional 1xUSB Host
	Accelerometer	Freescale: MMA8451
	Temp Sensor	TI:TMP112, +/- 0.5°C
	RTC	Support
	LED	Status LED (Charging/ Alive/ Report/ Status)
	COM Port	1xRS232 (Audio Jack), for Local Configure Optional, 1xRS232, isolated, 8x1.25mm, pin out to M12. Optional, 1xSDI-12, 8x1.25mm, pin out to M12. Optional, 1xRS485, isolated, 8x1.25mm, pin out to M12.
	GPIOs (Optional)	4xGPIO
Software	Analogs (Optional)	2xAnalog Input, 12bit, support 4-20mA or 0-5V Input, High input impedance, with Transient protection
	OS	Linux
Power	SDK	Support
	DC Input	DC 5V/12V/24V (4-36V)
	Battery	Internal Battery, Manually Changeable, with IP67 Cover, 3.7V, 6Ah Battery Supported.
Mechanical	Consumption	Ultra-low consumption, 2W pulse, 100uA Idle Without Solar Input can work 1 week, once report a day.
	Dimensions	160mm (L) x 118mm (W) x 53mm (H)
	Enclosure	Black Plastic Box, IP65 Protection (IP67 Optional)
	Install Brackets	Optional DIN Method
Environment Condition	Temperature	Operating: -40°C~+85°C (Lower temperature battery may reduce the capacitance) Storage: -20°C ~ +70°C, (-40°C ~ +85°C Optional)
	Humidity	5-95%RH (Non-Condensation), operating and storage
	Cooling Mode	Fanless



Accessory

Installation Tool (Optional)	1pc
Power Adapter	1pc
Solar Charging Board	1pc
4G/GPRS Module (Optional)	1pc
WIFI/BT Module (Optional)	1pc
GPS Module (Optional)	1pc
Zigbee/LORA Module (Optional)	1pc

Order Information

VT-M2M-M4	-X	XX
	D: Without Battery	65: IP67
	B: With Battery	67: IP67
Sample	VT-M2M-M4-B67	
<p>Notes: All specifications are subject to change without notice. Please contact Vantron for additional requirements.</p>		